

DEKAI 德凯



应用行业：汽车座椅、汽车内饰

Application Industries: Car Seat, Automotive Interior.

DK-2719-CUT

柱式三同步切边缝纫机

Post bed side trimming sewing machine



应用工艺：汽车仪表台、门板、扶手、方向盘、头枕等，修边+缝纫

Application Process: Automotive dashboard, door panels, armrests, steering wheels, headrests, etc., Edge trimming+sewing.

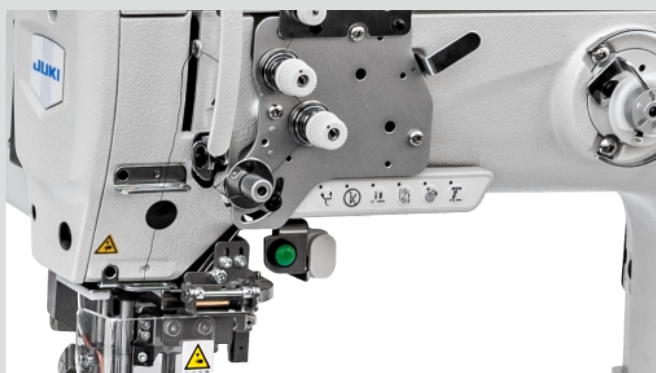




立柱式底座机构，轻松缝纫转弯弧度更窄小的产品
Column type base mechanism, easy to sew products with narrower turning curves.



独立电机驱动的垂直式切边装置
Vertical trimming device driven by independent motor.



自动抬压脚、倒针功能
Automatic foot lifting and needle reversing function.



压脚、底牙、机针三同步送料，保证送料精准稳定
The three synchronous feeding of presser foot, bottom teeth, and machine needle ensures precise and stable feeding.

产品规格 Product Specifications

型号	Model	DK-2719-CUT
切边边距	Edge margin cutting	1.3/1.5/1.8/2.0/3.0mm
最高缝速	Max Sewing Speed	2000 针/分钟 (needle/minute)
最长针码	Max. stitch length	5mm
旋梭直径	Hook diameter	26mm
压脚抬高高度	Presser foot lift clearance	20mm
自动提升装置	Automatic lifting device	气动式 Pneumatic type
交替压脚行程	Alternating foot stroke	1-9mm
臂下空间	Arm operating space	335×297mm
机针	Needle	134-35 90-180
缝线	Thread	M40-M20
供油方式	Lubrication	自动 Automatic
机头重量	Machine head weight	约77kg
气压和耗气量	Air pressure	6bar,0.7NL/min.
电源要求	Power supply	230V, 50/60 Hz

**“sti/min”代表“针/分钟”

